

# Maxi

- ... reduces setting-up times.
- ... is user-friendly.
- ... gives access to a large part of System 3R's product range.

Chuck →



Maxi an especially robust, uncomplicated and user-friendly system for larger and heavier electrodes and workpieces. The chucks are of the fishtail type with three references for rapid mounting of the accessories with a single two-handed operation. Chuck adapters – with Maxi as the basic mounting on the machine table – also give access to the Mini, MacroJunior and Macro systems.

- + Repetition accuracy within – 0.01 mm.
- + Recommended maximum weight – 500 kg.

Holder/pallet →

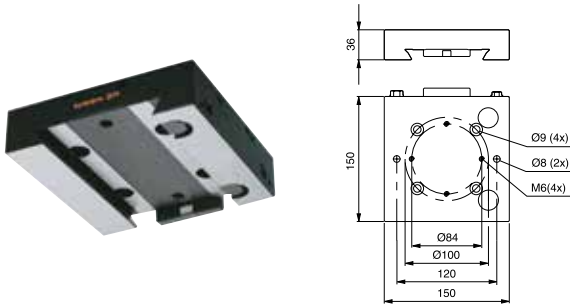


# Maxi – Chuck & pallet

## Manual chuck, 3R-27.2

For mounting on the machine spindle or on a machine table.

- Immersible
- Maximum electrode weight 500 kg
- Mechanical locking
- Weight 5 kg.



## Pallet 150x150 mm, 3R-29.2

Pallet with 16 clearance holes for M6 screws and eight M6 threads.

- Hardened
- Weight 4.6 kg.

